

DIO7929

5.5V rated 2A capable slew rate controlled load switch

Features

- 1.8V to 5.5V operation voltage range
- Low quiescent current <math><1\mu\text{A}</math> when disabled
- Reverse current blocking when switch is off
- Output discharge
- 60m Ω N-MOSFET
- DC Current Up to 2A
- Peak Current Up to 5A
- Built-in Soft-Start 3ms
- Active High with Integrated Bridge
- Pb-Free Device SOT23-6

Applications

- Cell Phone and Digital Camera
- PDA and Notebook
- LCD Monitor
- TV and Set-Top Box

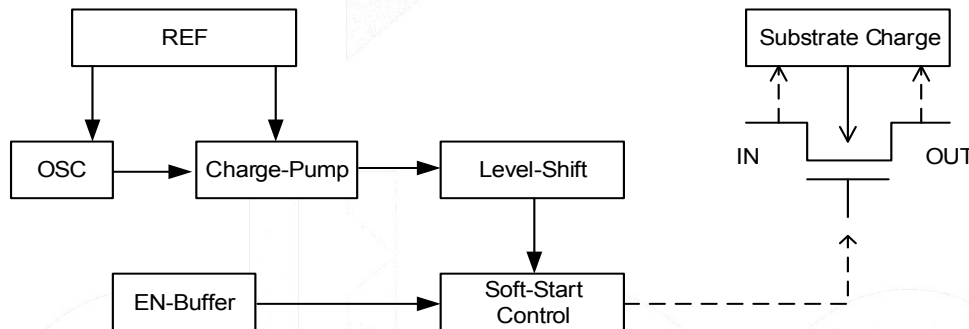
Descriptions

The DIO7929 is a Low On-Resistance N-channel MOSFET controlled by a soft-start sequence of 3ms for mobile applications.

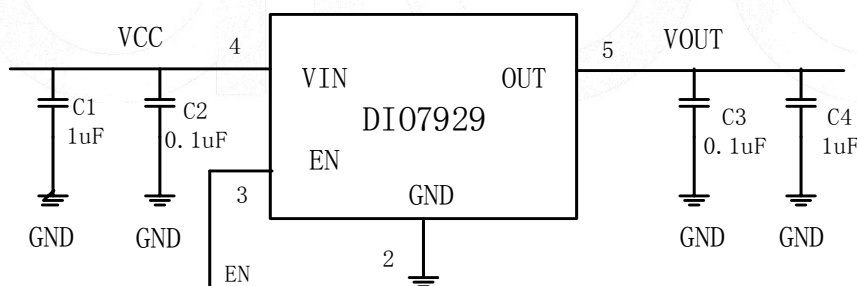
The low $R_{DS(on)}$ allows system supplying or battery charging up to DC 2A. The device is enable automatically if a power supply is connected on V_{IN} pin (active High) and maintained off if no power input (internal pull down).

Due to the current consumption optimization, the leakage current is drastically decreased from the battery connected to the device, which allows extending the battery life.

Block Diagram



Typical Application





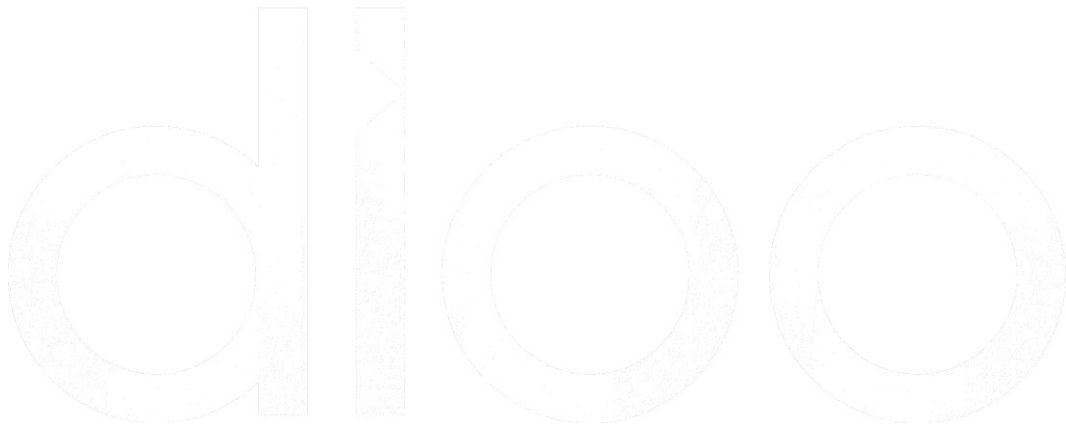
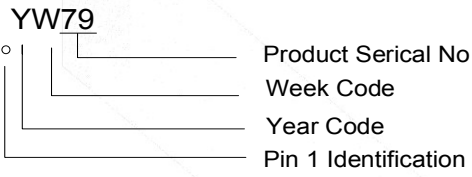
DIO7929

5.5V rated 2A capable slew rate controlled load switch

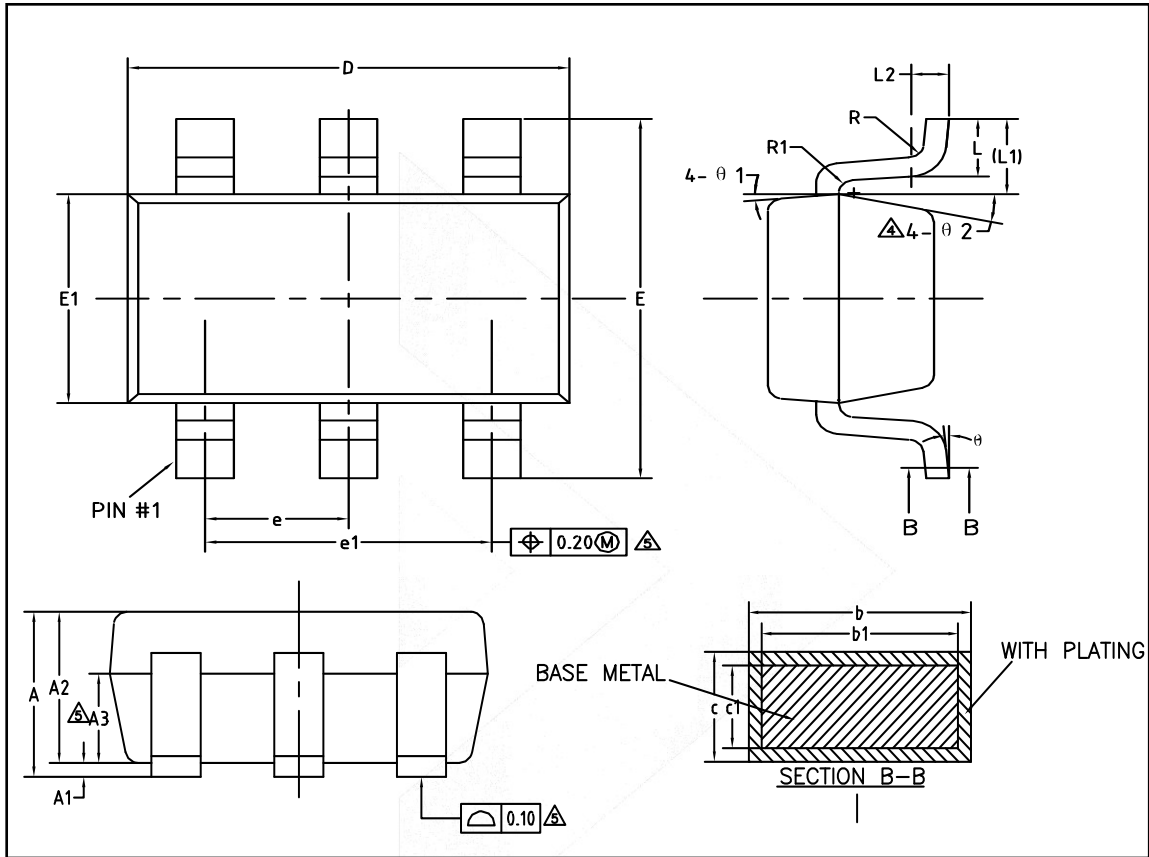
Ordering Information

Order Part Number	Top Marking		T _A	Package	
DIO7929ST6	YW79	Green	-40 to +85°C	SOT23-6	Tape & Reel, 3000

Marking Definition



Physical Dimensions: SOT-23-6



COMMON DIMENSIONS (UNITS OF MEASURE=MILLIMETER)			
Symbol	MIN	NOM	MAX
A	-	-	1.25
A1	0	-	0.15
A2	1.00	1.10	1.20
A3	0.60	0.65	0.70
b	0.36	-	0.50
b1	0.36	0.38	0.45
c	0.14	-	0.20
c1	0.14	0.15	0.16
D	2.826	2.926	3.026
E	2.60	2.80	3.00
E1	1.526	1.626	1.726
e	0.90	0.95	1.00
e1	1.80	1.90	2.00
L	0.35	0.45	0.60
L1	0.59REF		
L2	0.25BSC		
R	0.10	-	-
R1	0.10	-	0.25
θ	0°	-	8°
θ1	3°	5°	7°
θ2	6°	-	14°



DIO7929

5.5V rated 2A capable slew rate controlled load switch

CONTACT US

Dioo is a professional design and sales corporation for high-quality and performance analog semiconductors. The company focuses on industry markets, such as, cell phone, handheld products, laptop, and medical equipments and so on. Dioo's product families include analog signal processing and amplifying, LED drivers and charger IC. Go to <http://www.dioo.com> for a complete list of Dioo product families.

For additional product information, or full datasheet, please contact with our Sales Department or Representatives.

